

ILLUSTRATION #2

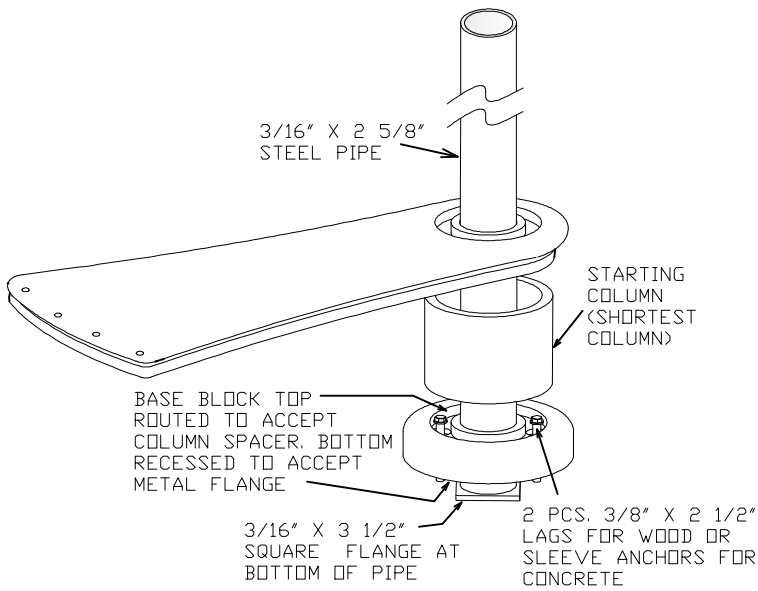


ILLUSTRATION #3

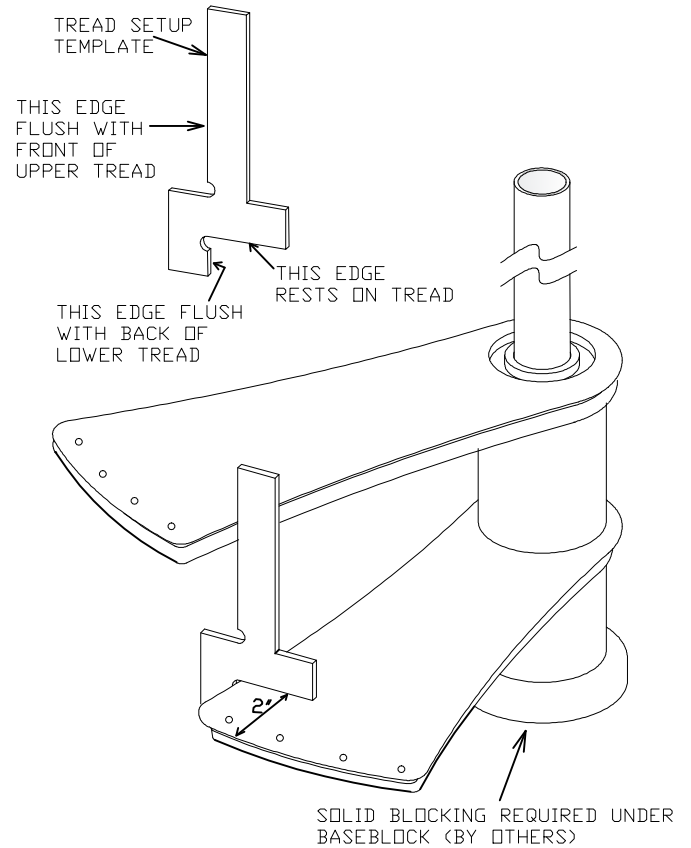


ILLUSTRATION #4

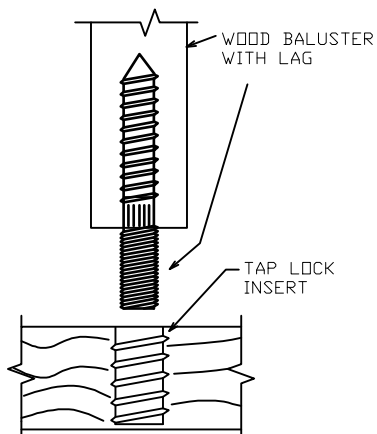


ILLUSTRATION #5

WOOD BALUSTERS
 AFTER STAIR & HANDRAIL IS INSTALLED, DRILL AND SCREW BACK OF BALUSTER INTO UNDERSIDE OF RAIL (USING PROVIDED FINISH SCREWS)
 NOTE: ALL WOOD STAIR AND BALCONY BALUSTERS ARE PRE-CUT BY ARCWAYS.

