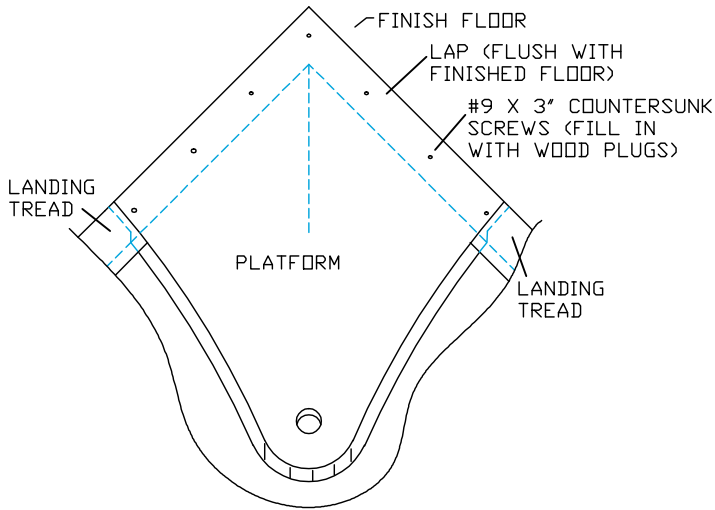
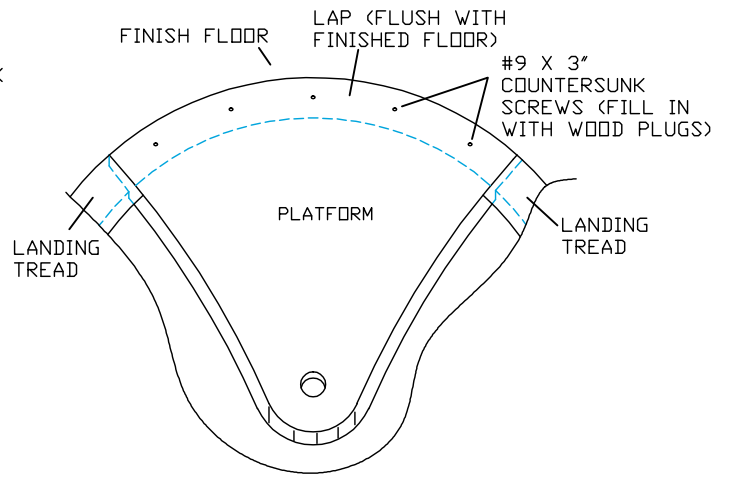


# ILLUSTRATION #1

## 2-SIDED LAPPED LANDING PLATFORM

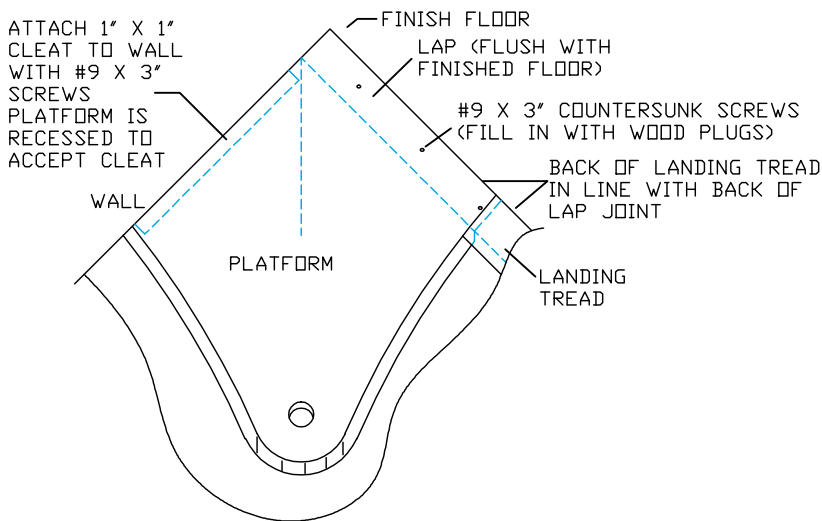


## CURVED LAPPED LANDING PLATFORM

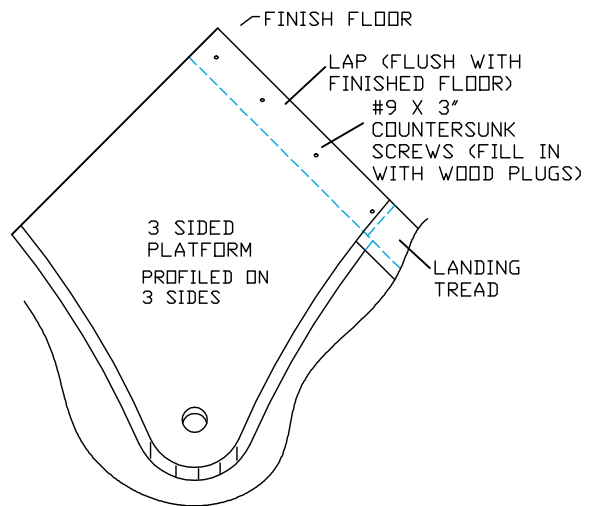


## LANDING PLATFORM

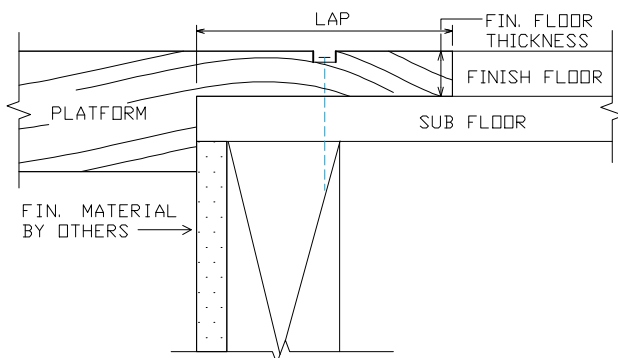
(LAPPED ONE SIDE & CLEAT ON WALL SIDE)



## 3 SIDED LAPPED LANDING PLATFORM



## LAPPED PLATFORM DETAIL



## WALL SIDE CLEAT DETAIL

